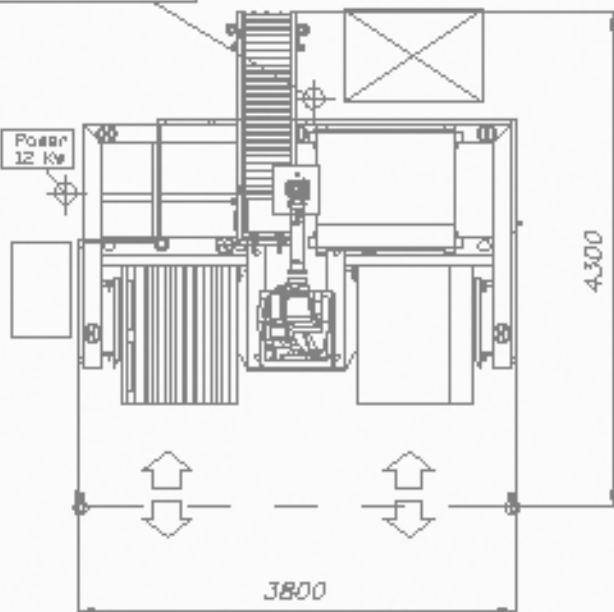


Air consumption
500 lit/min - 5.5 Bar

Power
12 Kw



2605

